




**Project:**  
**Reference Number:**

**Client:**  
**Client Number:**  
**Contact:**

| Position | Qty. | Description  | Single Price     |
|----------|------|--|------------------|
|          | 1    | <p><b>CR 5-29 A-FGJ-A-V HQQV</b></p>  <p><b>Note! Product picture may differ from actual product</b></p> <p>Product No.: 96513451<br/>                     Vertical, non-self-priming, multistage, in-line, centrifugal pump for installation in pipe systems and mounting on a foundation.</p> <p><b>The pump has the following characteristics:</b></p> <ul style="list-style-type: none"> <li>- Impellers and intermediate chambers are made of Stainless steel DIN W.-Nr. DIN W.-Nr. 1.4301.</li> <li>- Pump head and base are made of Cast iron.</li> <li>- The shaft seal has assembly length according to EN 12756.</li> <li>- Power transmission is via cast iron split coupling.</li> <li>- Pipework connection is via DIN flanges.</li> </ul> <p>The motor is a 3-phase AC motor.</p> <p><b>Liquid:</b><br/>                     Liquid temperature range: -20 .. 90 °C<br/>                     Liquid temp: 20 °C<br/>                     Density: 998.2 kg/m<sup>3</sup></p> <p><b>Technical:</b><br/>                     Speed for pump data: 2917 rpm<br/>                     Rated flow: 5.7 m<sup>3</sup>/h<br/>                     Rated head: 150 m<br/>                     Shaft seal: HQQV<br/>                     Approvals on nameplate: CE<br/>                     Curve tolerance: ISO 9906 Annex A</p> <p><b>Materials:</b><br/>                     Pump housing: Cast iron<br/>                     EN-JL1030<br/>                     ASTM A48-30 B<br/>                     Impeller: Stainless steel<br/>                     DIN W.-Nr. 1.4301<br/>                     AISI 304</p> <p><b>Installation:</b><br/>                     Maximum ambient temperature: 60 °C</p> | Price on request |



**Company name:**  
**Created by:**  
**Phone:**  
**Fax:**  
**Date:** 26/04/2010

**Project:**  
**Reference Number:**

**Client:**  
**Client Number:**  
**Contact:**

| Position | Qty. | Description   | Single Price |
|----------|------|---|--------------|
|          |      | Max pressure at stated temp: 25 bar / 90 °C<br>25 bar / -20 °C<br>Flange standard: DIN<br>Pipe connection: DN 25 / DN 32<br>Pressure stage: PN 16 / PN 25<br>Flange size for motor: FT130<br><br><b>Electrical data:</b><br>Motor type: 112MC<br>Efficiency class: 1<br>Number of poles: 2<br>Rated power - P2: 4 kW<br>Power (P2) required by pump: 4 kW<br>Mains frequency: 50 Hz<br>Rated voltage: 3 x 380-415 D V<br>Rated current: 8 A<br>Starting current: 1120-1230 %<br>Cos phi - power factor: 0,88-0,84<br>Rated speed: 2910-2930 rpm<br>Motor efficiency at full load: 89 %<br>Motor efficiency at 3/4 load: 89-88 %<br>Motor efficiency at 1/2 load: 87-86 %<br>Enclosure class (IEC 34-5): 55<br>Insulation class (IEC 85): F<br><br><b>Others:</b><br>Net weight: 65.9 kg<br>Gross weight: 86.5 kg<br>Shipping volume: 0.2 m3 |              |

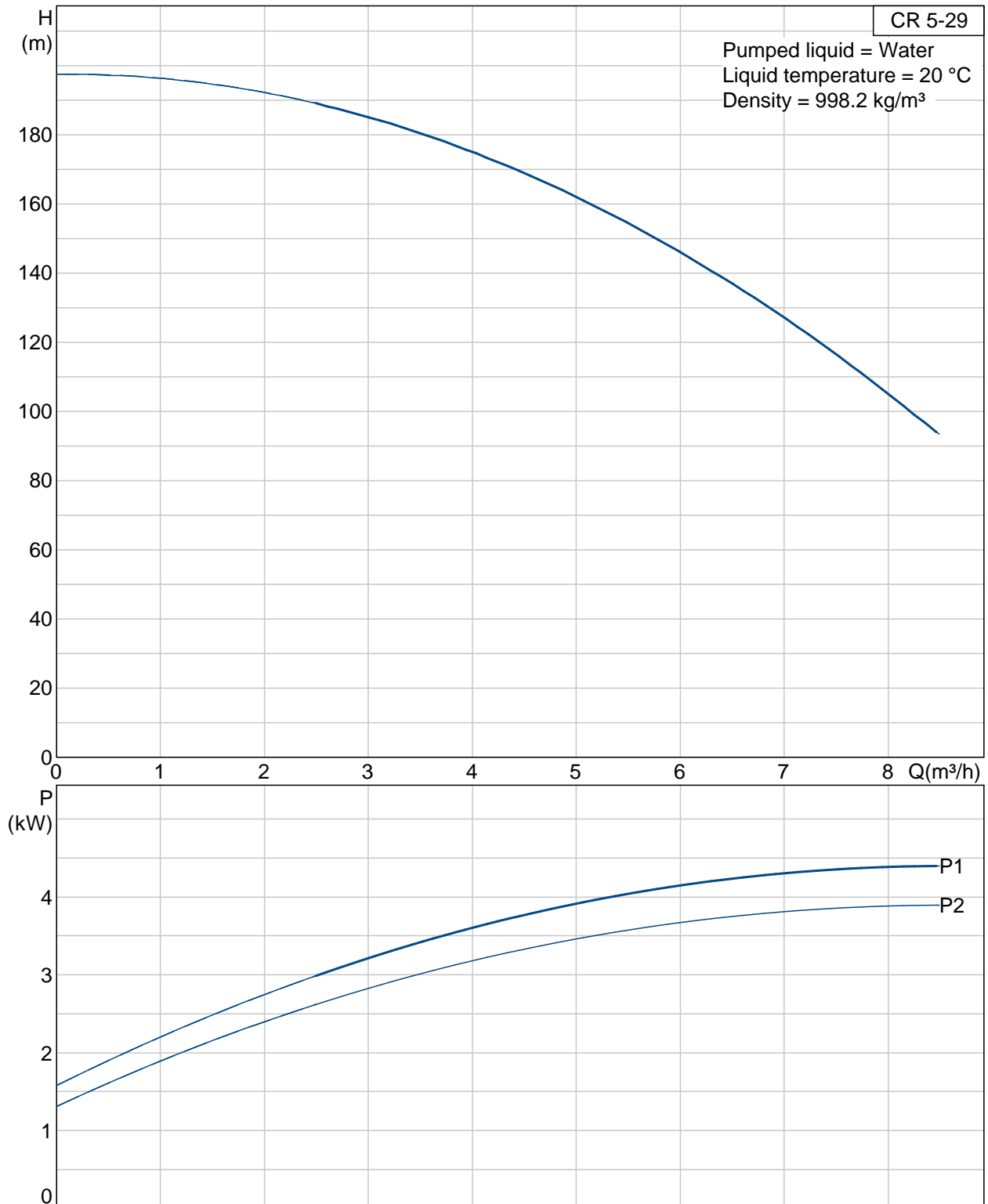


Company name:  
Created by:  
Phone:  
Fax:  
Date: 26/04/2010

Project:  
Reference Number:

Client:  
Client Number:  
Contact:

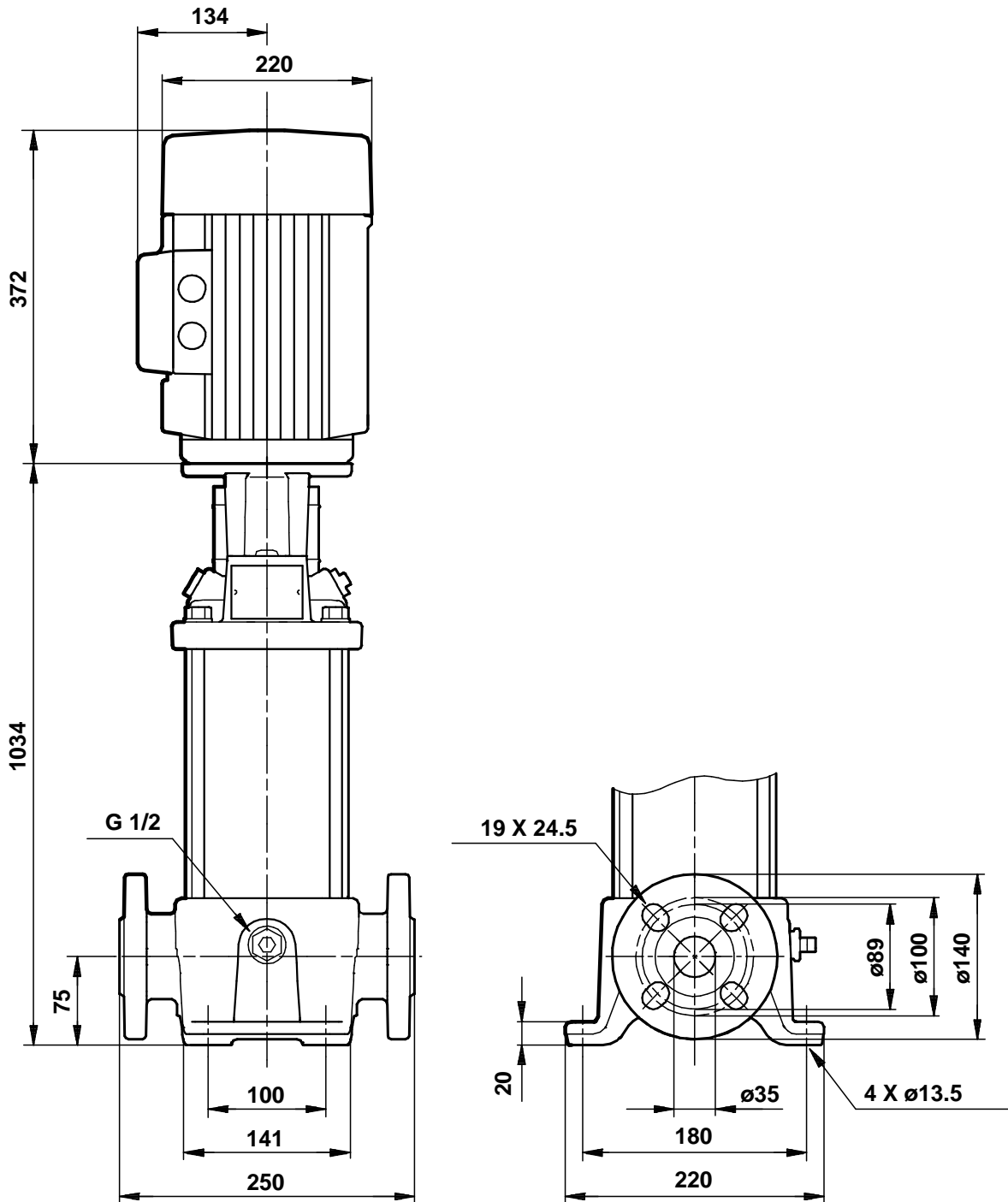
### 96513451 CR 5-29 50 Hz



Project:  
 Reference Number:

Client:  
 Client Number:  
 Contact:

**96513451 CR 5-29 50 Hz**



Note! All units are in [mm] unless others are stated.  
 Disclaimer: This simplified dimensional drawing does not show all details.